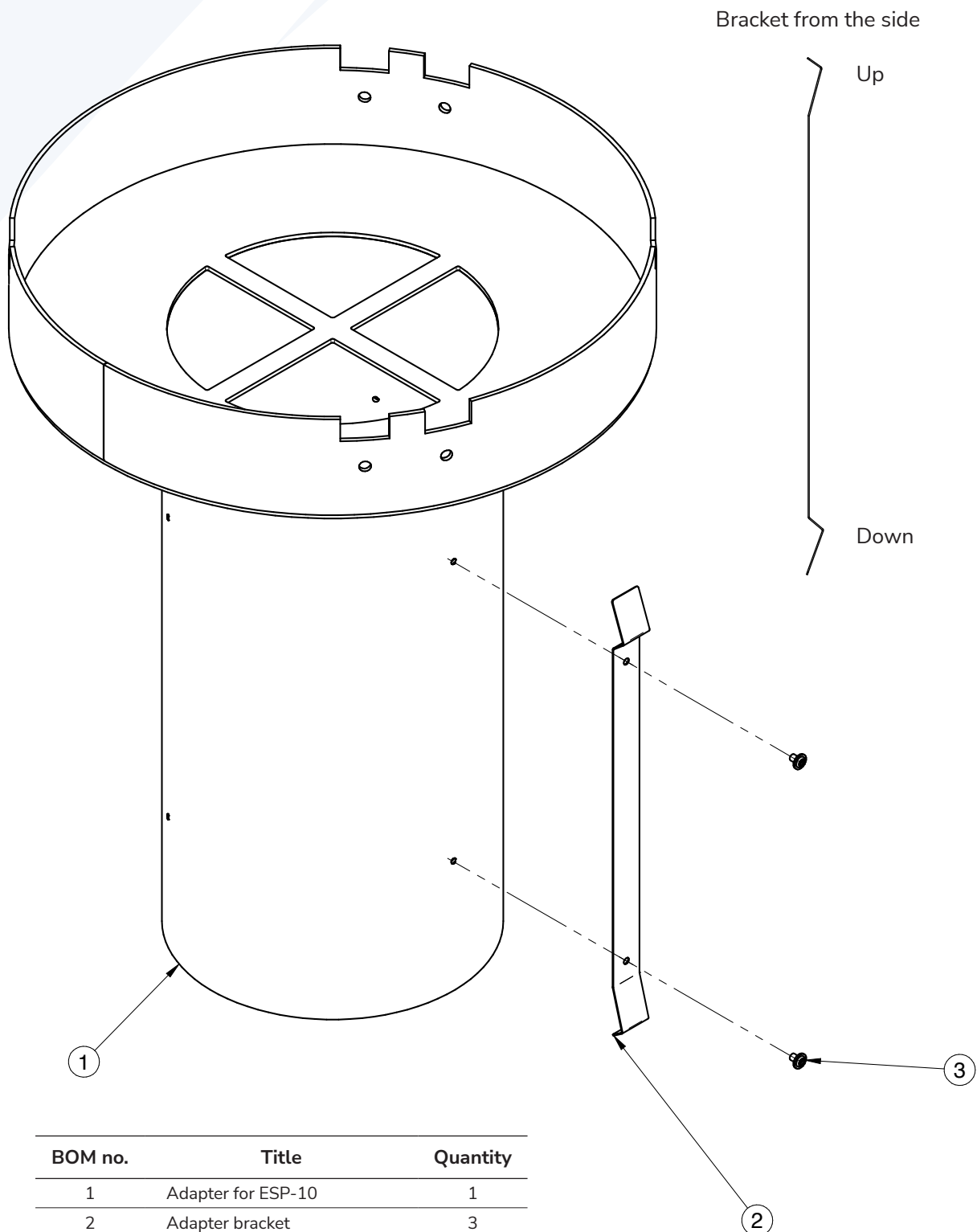


Accessories

ESP-10

Adapters with brackets



BOM no.	Title	Quantity
1	Adapter for ESP-10	1
2	Adapter bracket	3
3	M3 x 4,4 screw, A2 DIN 7380	6